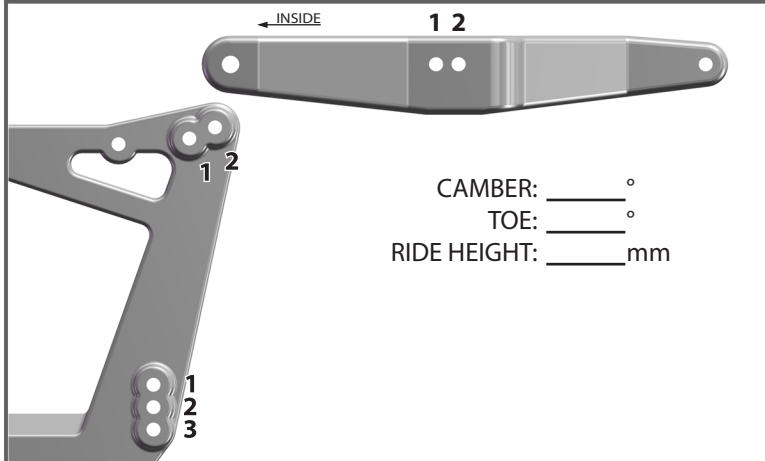


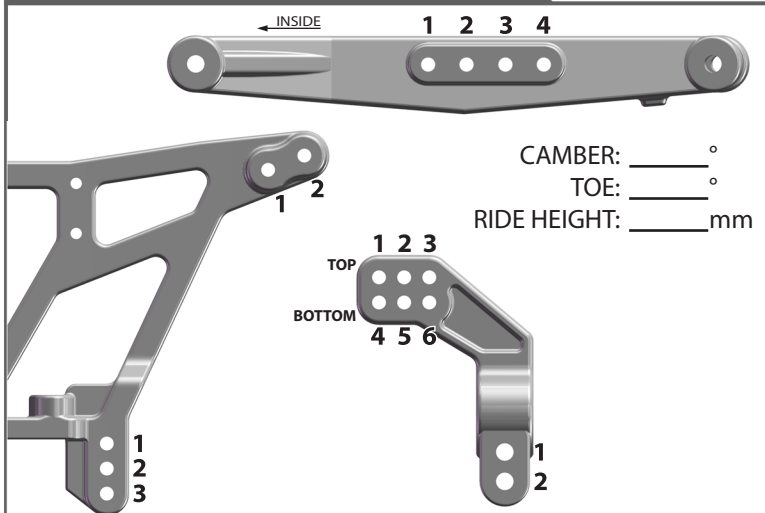
TRACK: _____
 EVENT: _____
 DRIVER: _____ DATE: _____
 QUAL: _____ FINISH: _____

PROTRAC™ SUSPENSION KIT FOR SLASH® KIT

FRONT SUSPENSION



REAR SUSPENSION



ELECTRONICS

MOTOR: _____
 PINION: _____ BATTERY: _____
 SPUR GEAR: _____ PLACEMENT: _____

TRACK INFORMATION

TRACTION:	HIGH	MED	LOW
SURFACE:	SMOOTH	BUMPY	BLUE GROOVE
CONDITIONS:	SOFT DIRT	CLAY	WET DUSTY

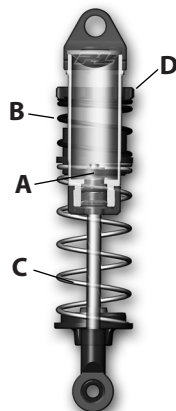
OTHER: _____

FRONT TIRES

REAR TIRES

TIRE: _____	TIRE: _____
COMPOUND: _____	COMPOUND: _____
INSERT: _____	INSERT: _____
WHEEL: _____	WHEEL: _____

POWERSTROKE FRONT SHOCKS



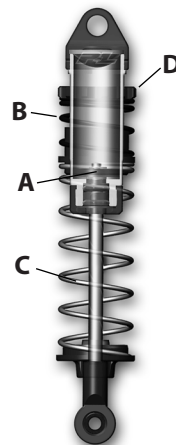
(A) PISTON: _____
 OIL WEIGHT: _____
 (B) PRIMARY SPRING: _____
 (C) SECONDARY SPRING: _____
 DROOP SPACER: _____ mm
 COMPRESSION SPACER: _____ mm
 (D) SPRING ADJUSTMENT: _____ mm

STOCK SHOCKS

(A) PISTON: _____
 OIL WEIGHT: _____
 SPRING: _____
 DROOP SPACER: _____ mm
 COMPRESSION SPACER: _____ mm
 (D) SPRING ADJUSTMENT: _____ mm

POWERSTROKE REAR SHOCKS

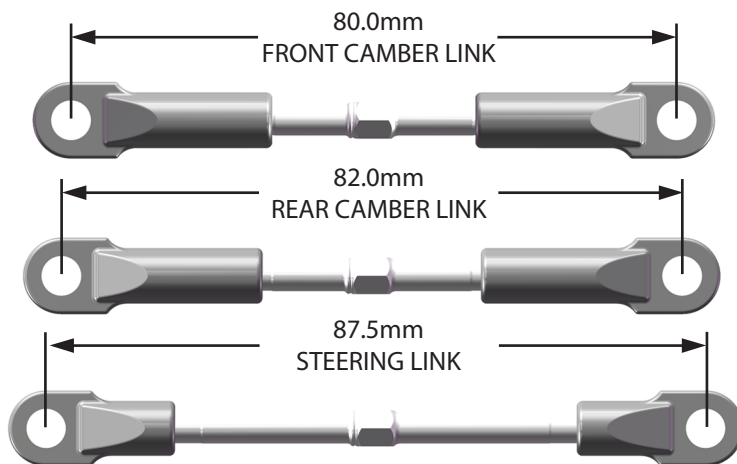
(A) PISTON: _____
 OIL WEIGHT: _____
 (B) PRIMARY SPRING: _____
 (C) SECONDARY SPRING: _____
 DROOP SPACER: _____ mm
 COMPRESSION SPACER: _____ mm
 (D) SPRING ADJUSTMENT: _____ mm



STOCK SHOCKS

(A) PISTON: _____
 OIL WEIGHT: _____
 SPRING: _____
 DROOP SPACER: _____ mm
 COMPRESSION SPACER: _____ mm
 (D) SPRING ADJUSTMENT: _____ mm

LINK SETTINGS



RESET FORM

v.1

For complete step-by-step instructions
 visit PROLINERACING.com

